



## Rectified Moving Coil Meters

### Models Available

FE72MCRA DIN72 Re ct. M.C. Ammeter  
 FE96MCRA DIN96 Rect. M.C. Ammeter  
 FE72LSRA DIN72 240° Rect. M.C. Ammeter  
 FE96LSRA DIN96 240° Rect. M.C. Ammeter

FE48MCRV DIN48 Rect. M.C. Voltmeter  
 FE72MCRV DIN72 Rect. M.C. Voltmeter  
 FE96MCRV DIN96 Rect. M.C. Voltmeter  
 FE72LSRV DIN72 240° Rect. M.C. Voltmeter  
 FE96LSRV DIN96 240° Rect. M.C. Voltmeter

### Product Features

- Linear AC current or AC voltage
- Standard DIN square sizes
- Interchangeable scaleplates
- Many options available (see page 22)

For dimensions see pages 23-24

Rectified moving coil meters are suitable for measurement of average rms AC current or voltage. All meters have a jewel and pivot movement which ensures reliability and accuracy. The moving coil meters are available in shortscales (90°) versions or longscales (240°) versions.

All meters have interchangeable scaleplates. Scales are linear and are calibrated from zero to full scale. All meters are calibrated at 50Hz but can be calibrated at an alternative frequency upon request.

## Rectified Moving Coil – for measurement of average rms AC current or voltage

### Specification

#### Accuracy:

- Class 1.5 ( $\pm 1.5\%$  max. error)

#### Input Current, $I_n$ :

- 0-0.1 to 0-5A direct connected
- 0-1A or 0-5A CT operated
- FE48 not available

#### Input Voltage, $U_n$ :

- 0-10V to 0-800V direct connected
- FE48 500V maximum

#### Scales:

- 0-0.1, 0.2, 0.5, 1, 1.5, 2, 2.5, 3, 4, 5A
- 5A to 3000A CT operated (1A or 5A)
- 0-10, 15, 20, 25, 30, 40, 50, 60, 75, 80, 100, 120, 150, 200, 250, 300, 400, 500, 600, 800V

#### Overload:

- 1.2 x  $I_n$  or  $U_n$  for 2 hours
- 10 x  $I_n$  or  $U_n$  for 5 seconds

#### Frequency:

- 50Hz (up to 400Hz upon request)

#### Voltage Drop:

- Ammeter < 100mV

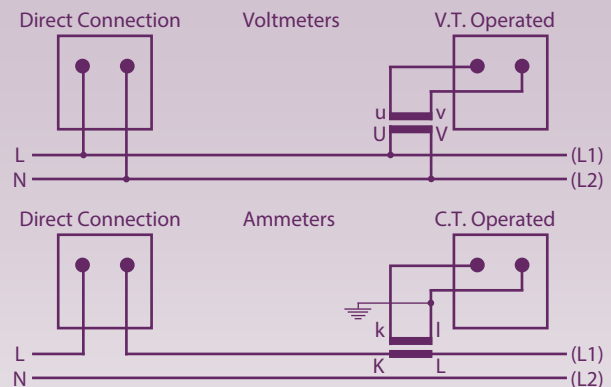
#### Current Consumption:

- Voltmeter < 200V 1mA, > 200V 200 mA

#### Weight:

- FE48 170g, FE72 210g, FE96 310g
- FE72LS 350g, FE96LS 400g

### Connections



### Ordering information

Code	DIN Square Size & Movement Type	Meter Type	Input & Scaling
FE48MC	48 x 48mm Shortscale (90°) (R/A n/a)	–	–
FE72MC	72 x 72mm Shortscale (90°)	–	–
FE96MC	96 x 96mm Shortscale (90°)	–	–
FE72LS	72 x 72mm Longscale (240°)	–	–
FE96LS	96 x 96mm Longscale (240°)	–	–
RA	–	Rectified Moving Coil Ammeter	–
RV	–	Rectified Moving Coil Voltmeter	–
Specify	–	–	0.1 to 5A direct
Specify	–	1A or 5A from a CT scaled 5A to 3000A	–
Specify	–	–	10 to 800V
–	–	–	(FE48 – 500V max.)
Example	FE48MC	RV	100V